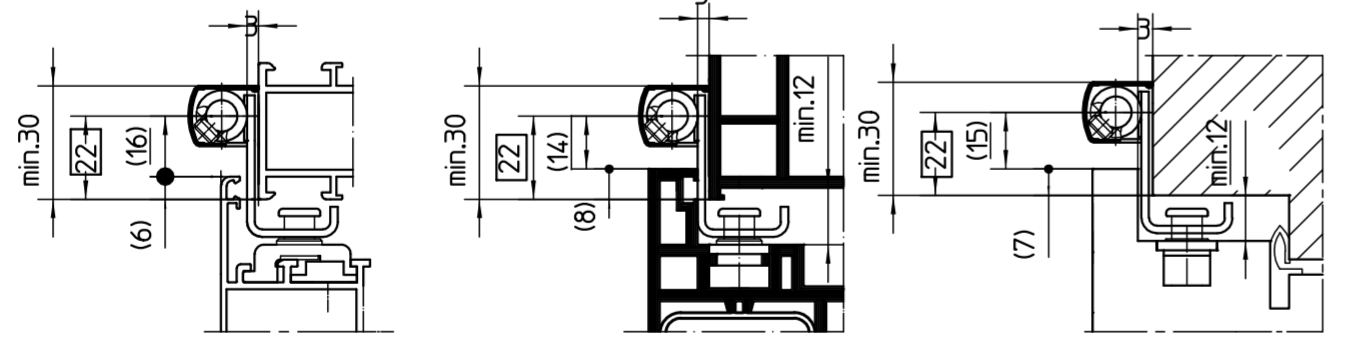
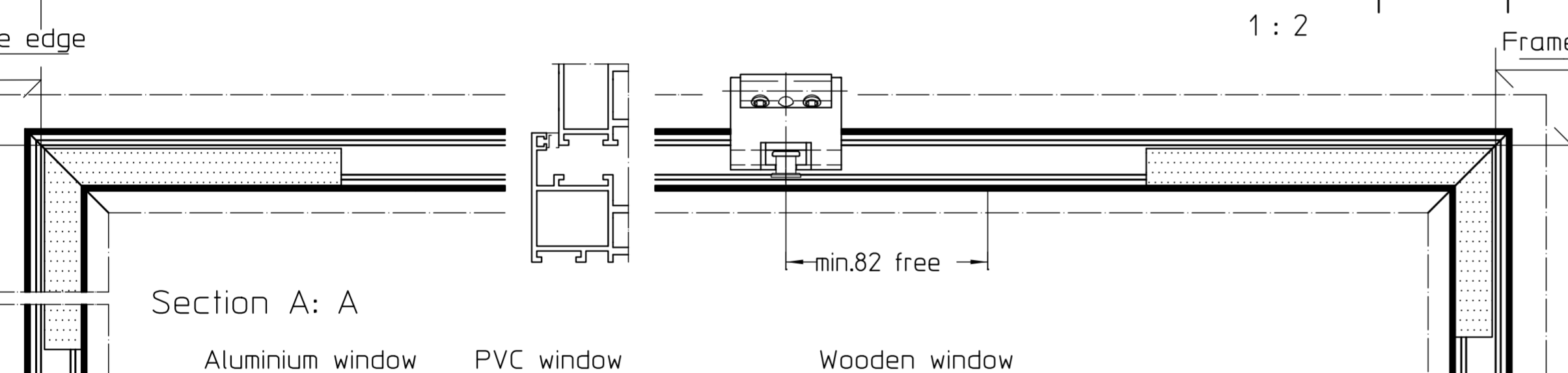
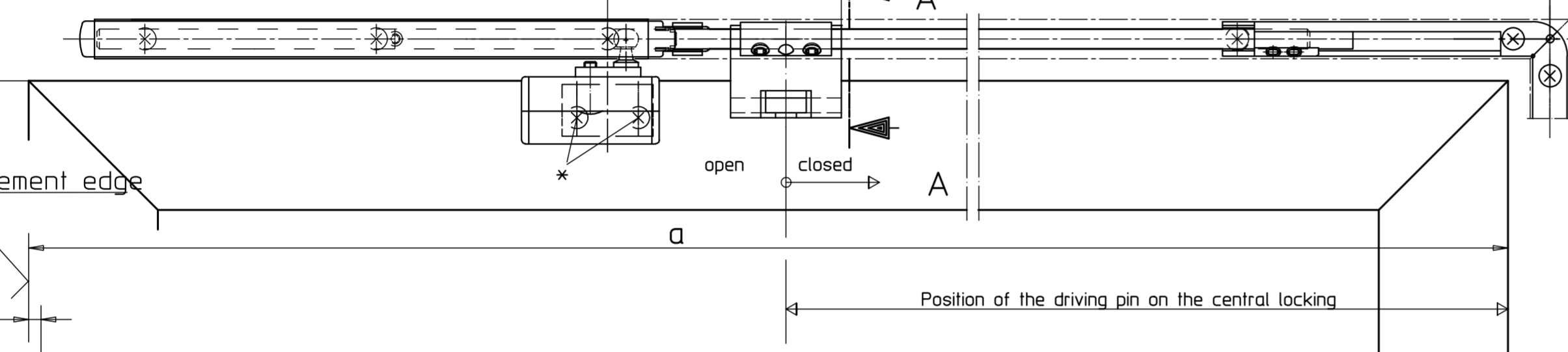


$f_2 = a/2$ for OL90 with hand lever or gear
 $f_2 = a/2-41$ with E212
 $f_2 = a/2-278$ with E205

f_1 $f_1 \text{ min.} = 287\text{mm}$ for OL90 with hand lever or gear
 $f_1 \text{ min.} = 433\text{mm}$, $F_m \text{ min.} = 212\text{mm}$ with E212
 $f_1 \text{ min.} = 670\text{mm}$ with E205



Important information

- Only for vertically installed rectangular windows
- The installation for bottom-hung windows must be horizontal at the top or lateral in the upper half of the window.
- The distance dimension 22mm from the profile edge to the push rod must be observed.
- The push rod must be guided on both sides of the coupling, e.g. by a scissors and a corner transmission.
- In the case of wooden windows, the overlap must be left free.
- Movable fittings and drive rods must be greased with acid-free grease in accordance with DIN 51825.
- * The length of the fixing screws for the casement bracket must be selected so that the fittings can move freely.

Missing data see installation drawing:

OL90N with hand lever	40444-EP-001
OL90N with gear Fz90; Fz91	40444-EP-008
OL90N with electric drive E205 horizontal	40444-EP-019
OL90N with electric drive E212 horizontal	40444-EP-003
OL90N Crank rods and accessories for gears Fz90; Fz91; Fz92	40444-EP-011

Technical data

Opening width approx. 170mm; fitting stroke 54mm
 Casement height min. 250mm

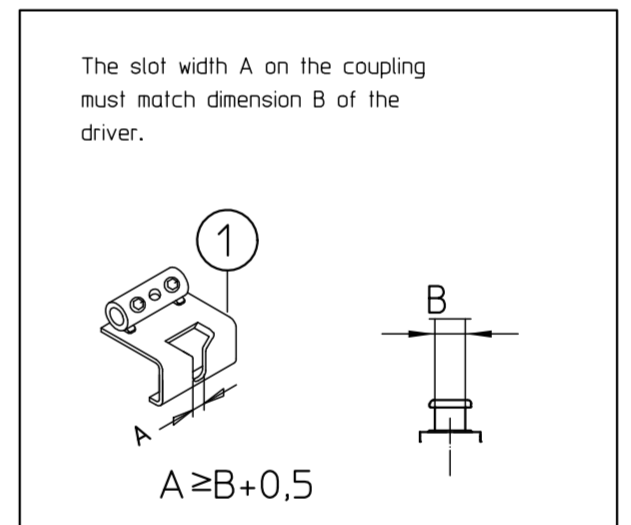
Space for the installation of couplings, locks and casement corner transmissions must be taken into account.
 Assignment of coupling OL90 to the central locking system see drawing 40418-9-0953

Minimum casement width

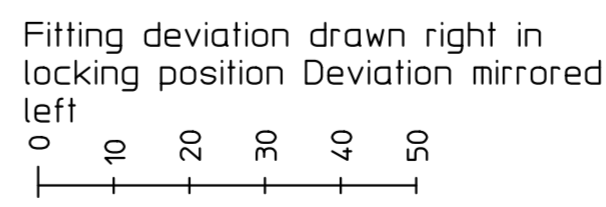
	1 scissors	2 scissors
Hand lever	480	945
Gear	480	945
E212	645	1200
E205	875	1200

Attention:
 The minimum casement widths and fitting dimensions refer exclusively to the OL90N fanlight fitting. For the central locks, other minimum casement widths may apply.

a = Casement width
 b = Casement height



Fos.	P.C.	Name	Identification no.:
1	1	Coupling OL90 VV1 A=8.5	24953 galvanised
1	1	Coupling OL90 VV2 A=11.5	29722 galvanised
1	1	Coupling OL90 VV3 A=15.5	30294 galvanised



GEZE GmbH P.O. Box 13 63 71226 Leonberg Germany		Benennung / designation	
vertraulich / confidential		OL 90N with coupling for concealed additional sheet	
erstellt / drawn	Datum/date	Name	Blatt / von sheet / of
Frg. Prod./Rel. Prod	11.02.20	u1270	2 / 2
	18.02.20	tb1	Maßstab scale
			1:1
Frg. Prod./Rel. Prod			Zeichnungs-Nr. / document-no.
			40444-EP-027

Diese Zeichnung entspricht dem Entwicklungsstand des Zeichnungsdatums bzw. der letzten Änderungsantrag. Aus der Benutzung der Zeichnung können keine Ansprüche, gleich welcher Art, einschließlich Schadenersatzansprüche, abgeleitet und gegen GEZE geltend gemacht werden. Die Zeichnung bleibt unser Eigentum und ist Dritten nur für die Vertragsdauer zur Benutzung überlassen. Sollten sich aus der Zeichnung ergebenden Ansprüche ausschließlich GEZE zu. Ohne vorherige Zustimmung von GEZE darf diese Zeichnung weder vervielfältigt noch Dritten zugänglich gemacht werden. This drawing shows the actual state of product development at the date of its drawing or the revision date. No claims for damages in any form can be made against GEZE as a result of the interpretation of the drawing. This drawing remains the property of GEZE and is made available to third parties only for the duration of contractual obligations. All rights connected with this drawing remain in possession of GEZE. This drawing may not be copied or handed over to third parties without the express consent of GEZE.